

Thank You ...

for purchasing our new DesignMaster projector. It is designed to bring new standards of performance and versatility to an economical art projector. The Artograph DesignMaster projector offers the unique dual ability to project onto the tabletop as well as a wall or canvas, with unsurpassed reliability and performance. The DesignMaster will become your most valuable creative tool.

Please read over the following information and instructions carefully to maximize your awareness of the features and benefits of your new projector. Should you need additional information or help with your projector, please feel free to contact your local Artograph dealer or Artograph, Inc.

IMPORTANT SAFEGUARDS

When using this projector, always follow basic safety precautions, including the following:

1. Read and understand all instructions before operating.
2. Close supervision is necessary when used by or near children. Do not leave unattended while in use.
3. Do not operate this equipment with a damaged cord, or if it has been dropped or otherwise damaged, until it has been examined by a qualified electrician.
4. If an extension cord is necessary, be sure it has a suitable current rating. Cords rated for less amperage than this equipment may overheat. Be careful to arrange the cord so that it will not be tripped over or pulled.
5. Always unplug from the electrical outlet when not in use. Disconnect by grasping and pulling the plug from the outlet; never yank the cord to disconnect the plug.
6. Allow the projector to cool completely before moving. Loop the cord loosely when storing.
7. If the projector receives water damage, do not use until inspected by a qualified electrician.
8. To avoid electrical shock hazard, do not disassemble. Take the projector to a **qualified electrician**. Incorrect reassembly can cause an electrical shock hazard.

SAVE THESE INSTRUCTIONS

SETUP

Your new Artograph projector requires no tools and just a few minutes to set up for operation. Before setup, please check to ensure that the following components are enclosed:

- 250W bulb
- Lens
- Mirror
- Upper column
- Lower column, with locking knob
- Plastic bag with owners' manual and warranty card.

Each projector is carefully inspected, tested, and packed at the factory. However, if any of the above parts are missing or appear damaged, discontinue setup and contact your dealer or Artograph.

Vertical Operation

The DesignMaster is designed to be attached to any drawing table or counter with a top surface that is less than 1 1/2 inches thick. If you don't have a suitable surface for mounting, we recommend that you purchase the Drawing Platform Accessory.

1. Fig. 1. Install the mirror inside the projector.

- a. Lay the projector flat on the table, and open the door.
- b. Before installing, be sure to read the label on the backside of the mirror. Carefully remove the protective film from the front surface side of the

mirror. **NOTE:** Special care must be taken to avoid scratching the silver surface on the front side of the mirror when removing the protective film and during installation. If cleaning becomes necessary, refer to the "MAINTENANCE" section of this manual.

- c. After removing the protective film, hold the mirror at its edges inside the projector with the label side face down and insert the wide end into the top clip.
- d. Lower the narrow end of the mirror down to the back of projector, so that it is laying on the metal spring clip.
- e. Depress the spring clip with your thumb while you inset the narrow end of the mirror into the notch of the spring clip.

2. Install the bulb.

NOTE: The DesignMaster can use any incandescent bulb up to 250 watts.

CAUTION: Never use a bulb which exceeds 250 watts (275 watts in England and Australia), as overheating may occur.

3. Assemble the stand (clamp and two column tubes).

- a. Insert the knob end of the lower column through the hole in the clamp, then pull the column up through the hole. See Fig. 2.
- b. Attach the clamp and lower column flush to the edge of a suitable table surface. Attach firmly by hand-tightening the T-screw. See Fig. 3.

- c. Insert the upper column into the lower column tube (unscrew the locking knob on the lower column as much as necessary).

4. Attach the projector. See Fig. 4.

- a. Slip the four mounting holes on the rear panel over the prongs on the upper column's bracket.
- b. Press the projector down until the spring clip latch snaps into the small hole on the rear panel.
- c. Recheck that all four prongs are secured in the mounting holes.

5. Position the lens. The position of the lens in the projector is indicated by the words "enlarge" or "reduce" - whichever is showing.

When moving the lens out to adjust the projector - **STOP** when you begin seeing the light-colored area. Going beyond this area could result in the lens falling out of the projector.

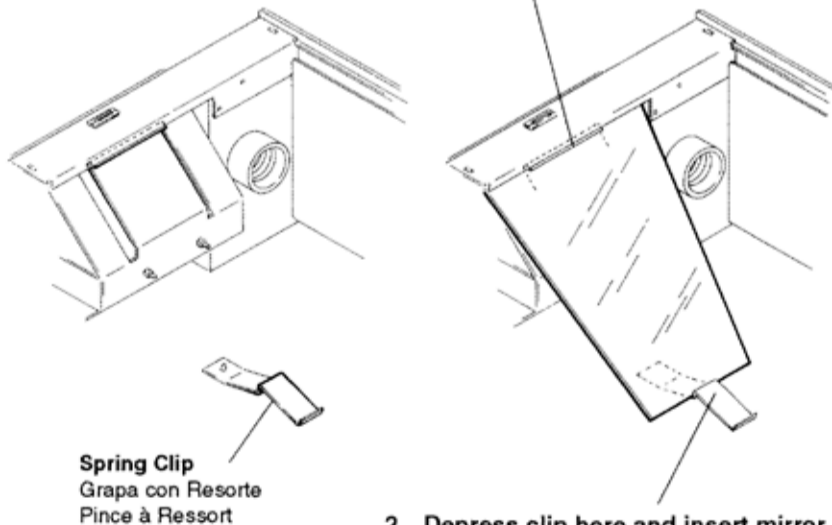
6. Apply power. Plug the projector into any 110V or 230V outlet (as appropriate). To turn it on, flip the switch on top of the projector.

Horizontal Operation

For projecting onto a wall, canvas, or other vertical surface, simply set the projector on any flat surface. Follow steps 5 and 6 above.

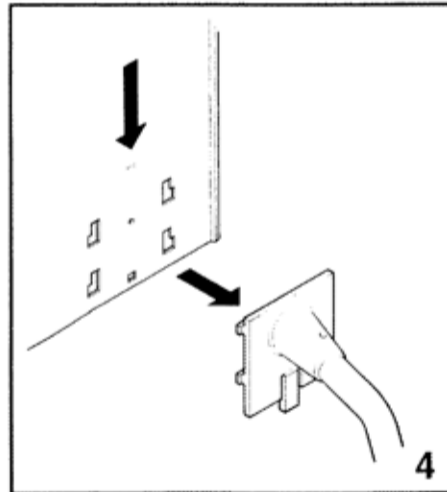
1. Insert wide end under top clip.

Inserte la punta ancha debajo de la grapa superior.
Insérez le côté large sous la patte de fixation du haut.



2. Depress clip here and insert mirror.

Aprete la grapa aquí e inserte el espejo.
Appuyez ici sur la pince à ressort et insérez le miroir.



Press here to raise copy bar.

Presione aquí para elevar la plancha sujetadora de papel.

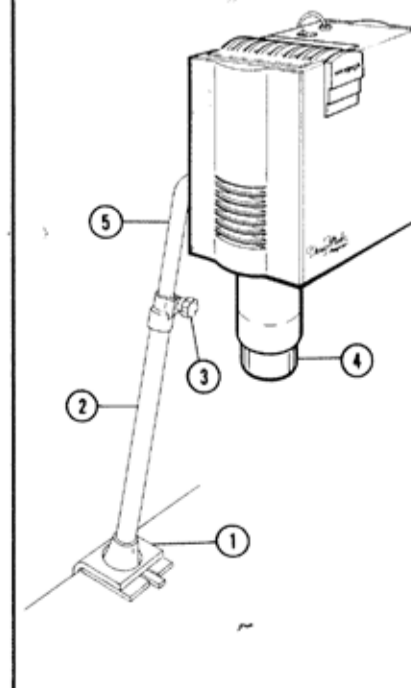
Appuyer ici pour soulever la barre.



PARTS LIST

LISTA DE LAS PIEZAS

LISTE DES PIÈCES



Description Descripción Description	Part No. Número de la Pieza No de Pièce
1 Clamp assembly Ensamblaje de la grapa Patte de fixation	200-649
2 Lower column assembly Ensamblaje de la columna inferior Colonne inférieure	200-641
3 Locking knob Botón de cierre Manette de verrouillage	100-638
4 Lens assembly Ensamblaje de la lente Objectif	200-726
5 Upper column assembly Ensamblaje de la columna superior Colonne supérieure	200-640
— Lamp, 110-volt Bombilla, 110 voltios Ampoule, pour appareil, 110-volts	106-043
— Lamp, 230-volt Bombilla, 230 voltios Ampoule, pour appareil, 230-volts	106-045
— Lamp, 240-volt Bombilla, 240 voltios Ampoule, pour appareil, 240-volts	106-044